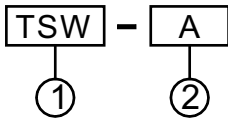


MODEL DESIGNATIONS



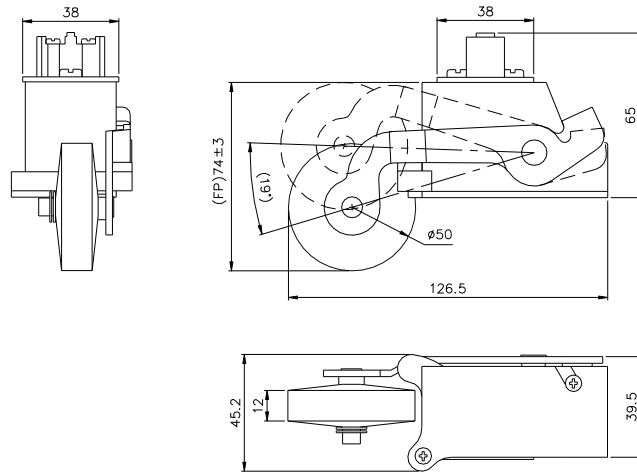
Designation	Signal	Description
1. Type	TSW	Elevator switch
	TSW2	Decelerate switch
2. Contact Blocks	A	1a
	B	1b

CHARACTERISTICS

Characteristic	Type	TSW	TSW2
Contact resistance		50m max.	
Insulation resistance		100M max.(at 500VDC)	
Dielectric resistance		2000VAC, 50/60Hz 1minute	
Ambient temperture		-10°C~80°C	
Ambient humidity		45%~80%RH	
Operation force		1Kg max.	300gr max.
Weight		Approx 250gr	Approx 350gr
Pretravel		8mm max.	45°±5°
Overtravel		25mm max.	23°±5°
Free position		74±3mm	

DIMENSIONS

TSW



TSW2

