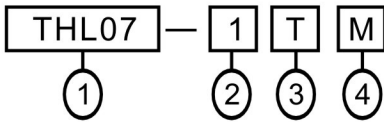


FEATURES

- Flexible Conduit
- Tempered Glass
- Osram Halogen lamp 12V 20W
- 5 Kinds of the
- 1200 Lux at 50 cm distance

MODEL DESIGNATION



Item	Signal	Description
1.Type	THL07	Ø70mm
2.Voltage	1	110VAC
	2	220VAC
	9	12VAC/DC
3.Length of arm	T	Flexible conduit 460mm
	L	310mm+390mm(Only 12V)
	M	310mm+115mm(Only 12V)
	R	220mm+220mm
	S	-
4.Base	L	L Type base
	M	Magnetic base
	T	Triangle base
	S4	45*45mm
	S6	60*60mm

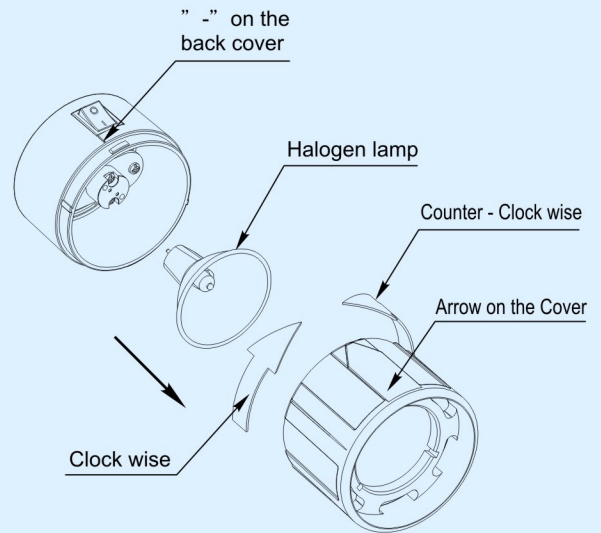
HALOGEN LAMP

Replacement :

Step1. To turn counter – clockwise to release the cover.

Step2. Replace Halogen lamp.

Step3. To Align the “Arrow on the cover” and the “- on the back cover” then turn clockwise to fit the cover.

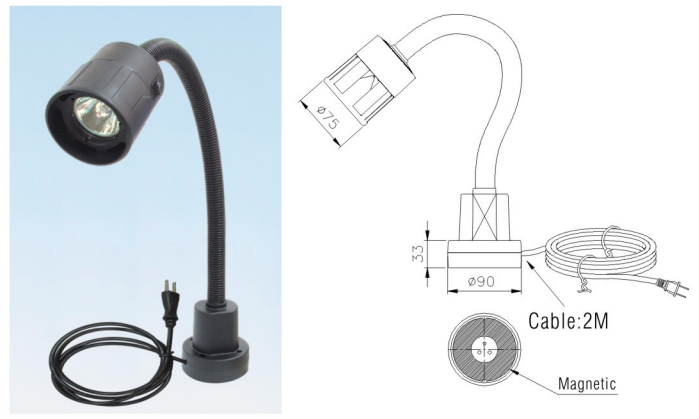


DIMENSION

THL07-1T



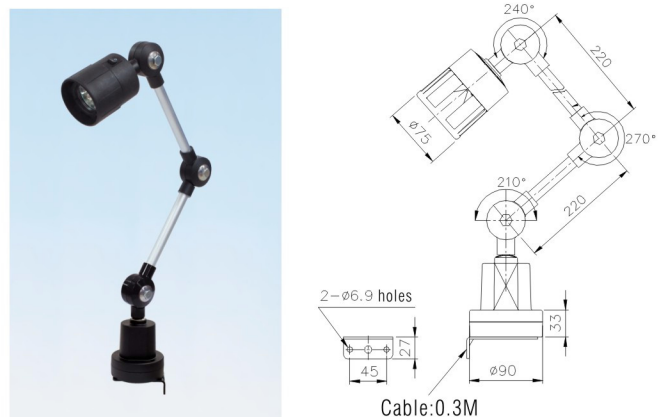
THL07-1TM



THL07-1S

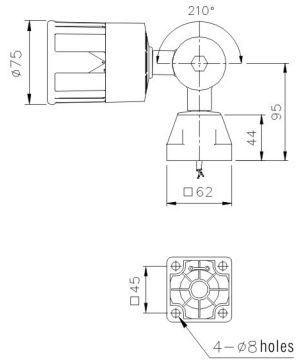


THL07-1R

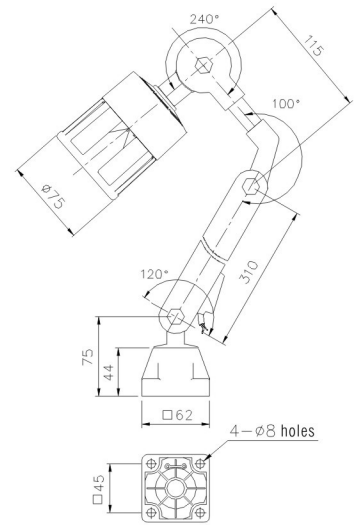


■ DIMENSION

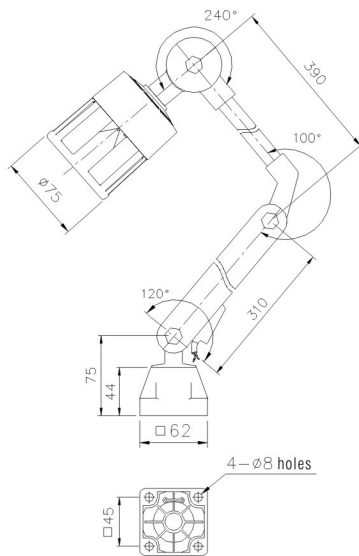
THL07-9SS4(S6,T)



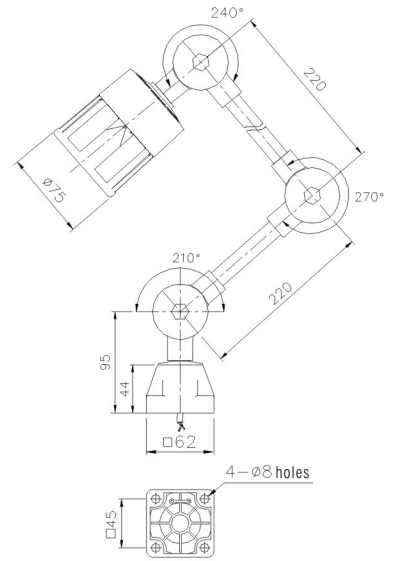
THL07-9MS4(S6,T)



THL07-9LS4(S6,T)

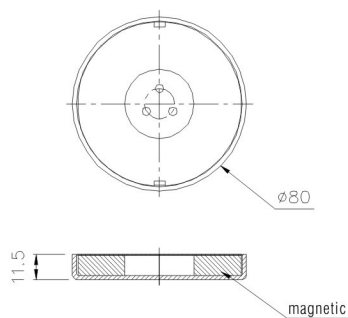


THL07-9RS4(S6,T)



■ BASE DIMENSION

MAGNETIC BASE
(THL07-M)



L TYPE
(THL07-L)

