

## ■ LIMITATION OF USE

When this product is used on devices with special safety requirement or when it is used in important applications, please pay special attention to the overall system and device safety.

When necessary, please install fail-safe safety device, perform additional checks and regular inspections and other appreciate safety measures.

Class II.

Backlight Function (Optional) requires external AC/DC24V Power Supply.

## ■ SAFETY PRECAUTIONS

In order to prevent injuries and accidents, be sure to follow the below warnings. In the case of misuse, it could cause death or serious injury to the user.

NOTE: In the case of misuse, it could cause injury to the user or damage to the article.

### Warnings

- Incorrect wiring may cause damages to the product or other hazards. Before power is turned on, please make sure the wiring of this product is correct.
- When wiring, moving or prior to installing this product, please make sure the power is off, otherwise it may cause electric shock.
- Do not touch the conductive parts, such as the power supply terminals, or it may cause electric shock.
- Do not disassemble the product as this may cause electric shock or malfunction of the product.

### Note

- Please check the specifications for the recommended operating ranges for use (such as temperature, humidity, voltage installation etc.) Otherwise, it could cause fire or malfunction of the product.
- Please use screws to secure the wire connections tightly. If the connection is not secured, it may cause abnormal heat or smoke.

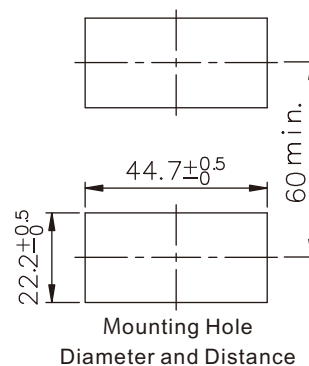
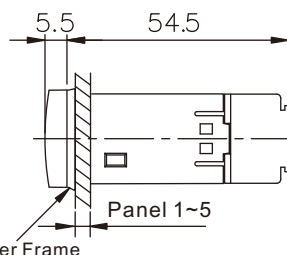
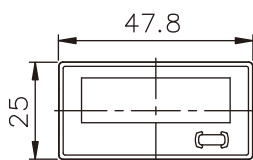
## ■ BATTERY REPLACEMENT

1. Use the flathead screwdriver to pry open the housing.
  2. Pull open the housing.
  3. Remove the old battery(CR123A), insert a new battery, and pay attention to polarity.
- (Please complete these steps within 30 seconds to ensure the memory is not lost.)

## ■ APPEARANCE and DIMENSIONS

THE-C ( No Backlight )

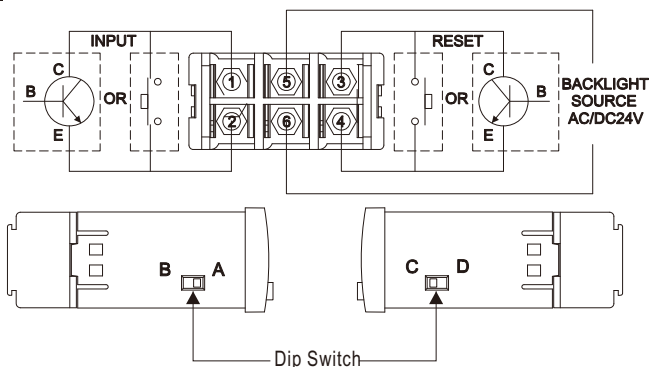
THE-CB ( Backlight )



## ■ SPECIFICATIONS

Operating Voltage	DC:3V(Battery:CR123A)
Battery Life	7 years (at 25 °C)
Backlight Operating Voltage	AC/DC24V
Backlight Voltage Range	85% ~ 110% of Rated Operating Voltage
Backlight Power Supply Frequency	50/60HZ
Power Consumption	About 0.8W/2.4VA
Ambient Temperature	-10 °C~50 °C
Ambient Humidity	MAX 85% RH
Weight	About 68g
Max. Counting Speeds	30HZ / 1KHZ

## ■ WIRING DIAGRAM



KEY FUNCTION	A	B	C	D
	1K HZ	30HZ	RESET ON	RESET OFF

## ■ BEFORE USE

Please remove the battery plastic pull tab before use.

